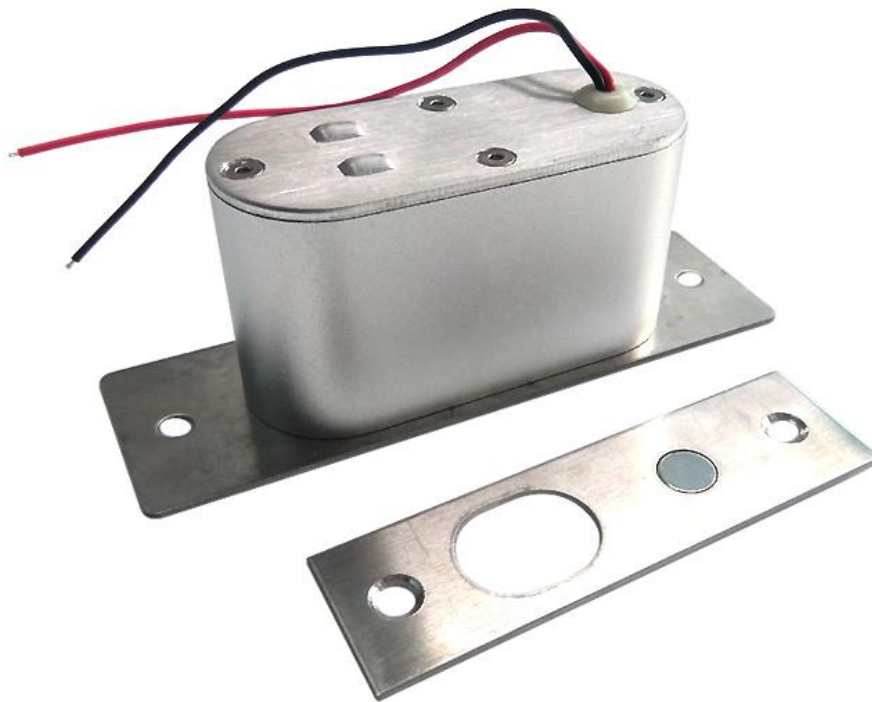
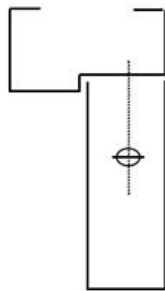
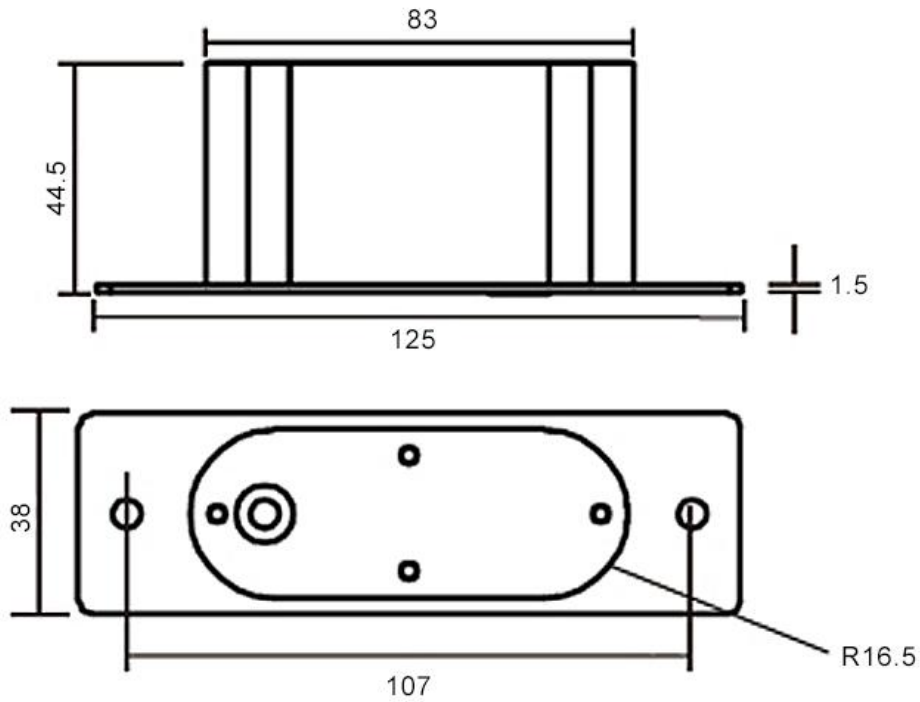




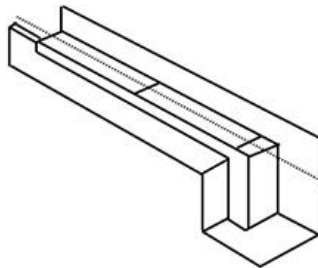
BL-M3002 Mini Electric bolt lock with 2wires



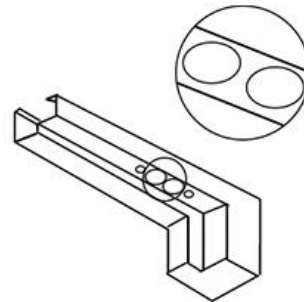
Product Parameter		
1	Material	Stainless steel
2	Lock finish	Wire drawing
3	Lock dimension	125 X 44.5 X1.5mm
4	Open way	Fail-Safe
5	Voltage	DC 12V
6	Start current	0.7A
7	Standby current	0.12A



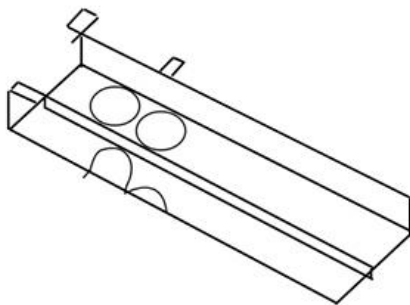
1. Double confirm the distance between door and door frame



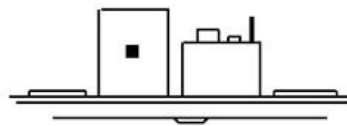
2. Stick the plate



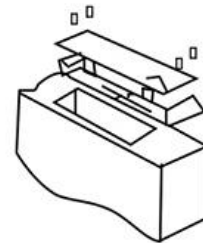
3. Drill a hole



4. Fix it with screws



5. Fix the armature plate on the door frame



6. After installed, power on and test